



EGV SERIES

PN0,5 Manual Reset
Gas Valve

ESKA
VALVE

www.eskavalve.com



EGV SERIES

PN0,5 Manual Reset
Gas Valve

Patented
Design

Fast
Closing

%100 Quality
Control



INTRODUCTORY AND TECHNICAL INFORMATION

- These are the manually adjusted gas valves used with the safety purposes in the gas lines to automatically stop the gas flow by the effect of the signals given by the thrd party equipments such as gas alarm detectors, ventilation equipments etc.
- Usage: City gas networks and gas pipelines in industrial areas
- Fluid Type: Second Family Group H Medium - Non-corrosive gases such as Natural Gas (Methane), LPG, Propane , Butane , Town Gas, Air, etc...
- Pressure Class: PN0,5
- Position or Switching Function: Normally Open
- Connection or Port Size: 1/2", 3/4, 1", 1 1/4", 1 1/2", 2" Threaded (Female), DN65, DN80, DN100 Flanged
- Maximum Working Pressure: 0,5 bar
- Working Voltage Range: 12V, 24V, 48V, 110V, 220V AC or DC (On request other voltages)
- Ambient Temperature Range: -20°C up to 70°C
- Fluid Temperature Range: -10°C up to 80°C
- Protection Class: IP65
- Voltage Tolerance: \pm %10
- Response Time: Less than 1 second
- Working Principle: Direct Operated
- Reset: Manually
- Way: 2/2
- Material Standard: Aluminum-EN 1706 / Brass-EN 12164 and EN 12165 / Rubber-EN 549 / Plastic-EN 11667
- Materials: Body and cover EN AC-46100 Aluminum, Plastic material, Nylon, rubber material NBR



MODEL NAME	UNIT WEIGHT	BOX SIZE (LxWxH cm)	PACKAGING (pieces/ carton)	CARTON SIZE (LxWxH cm)	CARTON (weight)	TOTAL CARTON (weight)
EGV 1015	0,500 kg	11x12,5x6	50	27x42x46	0.65 kg	25,650 kg
EGV 1020	0,500 kg	11x12,5x6	50	27x42x46	0.65 kg	25,650 kg
EGV 1025	0,500 kg	11x12,5x6	50	27x42x46	0.65 kg	25,650 kg
EGV 1032	1,100 kg	15x16x14	16	33x58x35	0.65 kg	18,250 kg
EGV 1040	1,100 kg	15x16x14	16	33x58x35	0.65 kg	18,250 kg
EGV 1050	1,100 kg	15x16x14	16	33x58x35	0.65 kg	18,250 kg
EGV 1065	7,750 kg	-	1	24x30x33	0.50 kg	7,750 kg
EGV 1080	8,500 kg	-	1	24x30x33	0.50 kg	8,500 kg
EGV 1100	12,250 kg	-	1	27x28,5x42	0.50 kg	12,250 kg



EGV SERIES

PN0,5 Manual Reset
Gas Valve

ESKA
VALVE

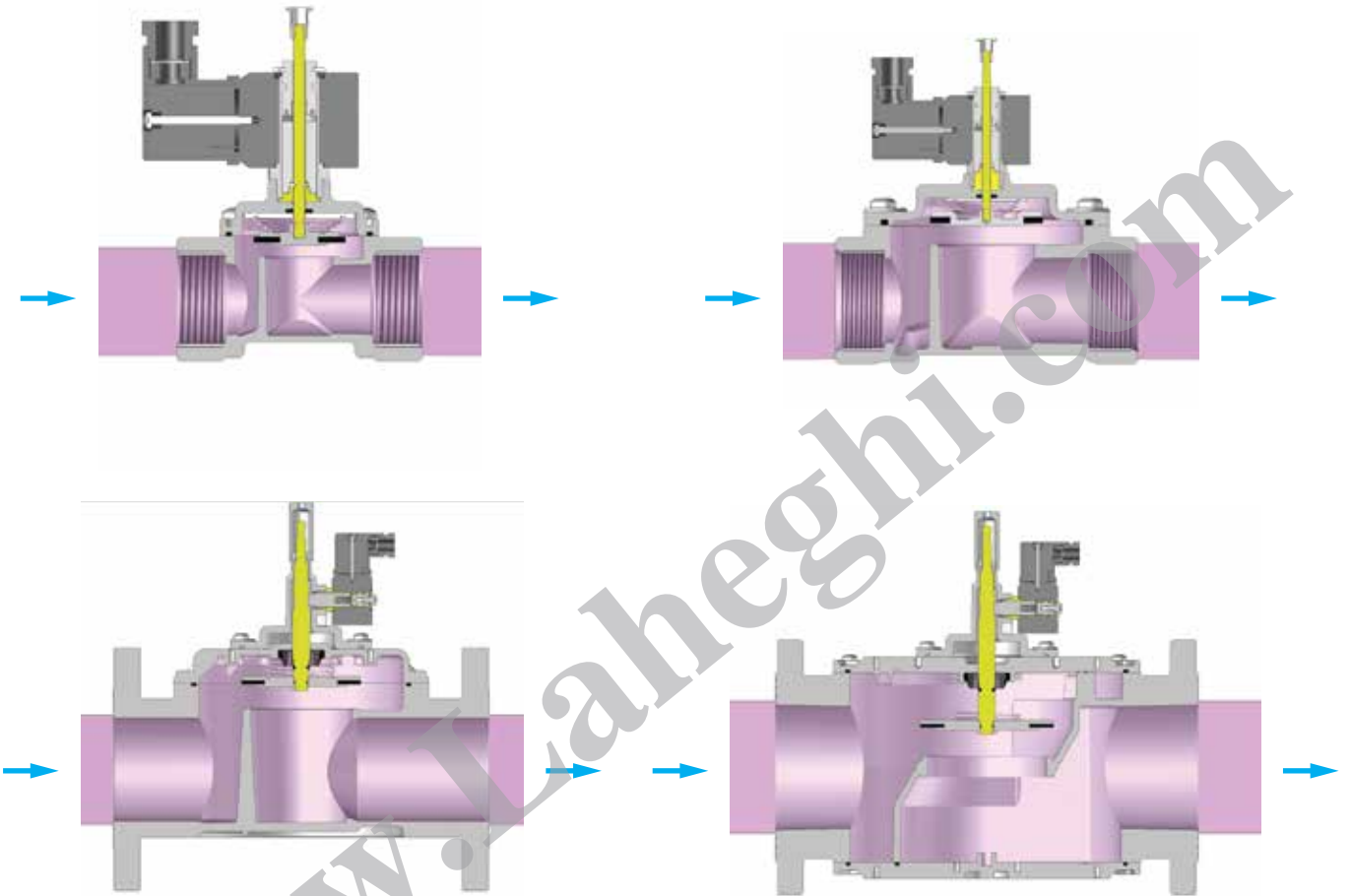
Patented
Design

Fast
Closing

%100 Quality
Control



FLOW DIRECTIONS



SIMILAR PRODUCTS



EGV-B



EGV SERIES

PN0,5 Manual Reset
Gas Valve



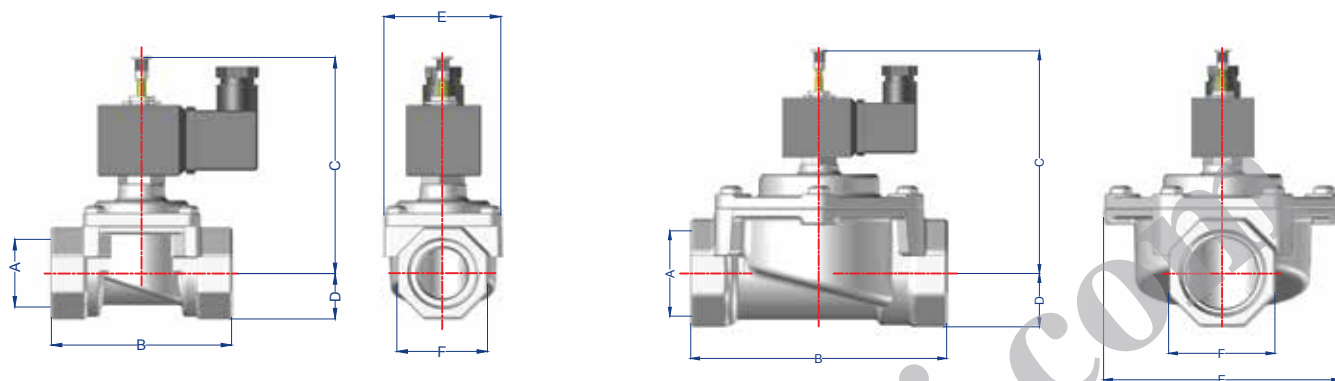
Patented
Design

Fast
Closing

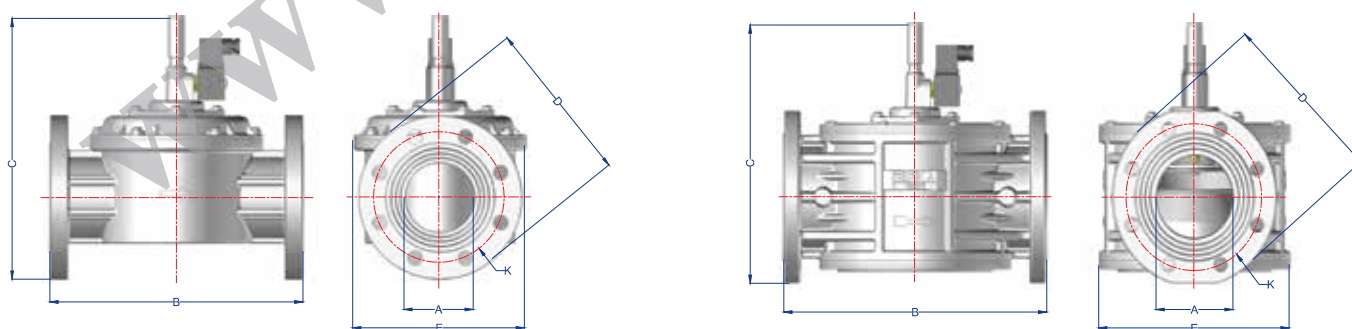
%100 Quality
Control



DIMENSIONS (mm)



MODEL	DN	A	B	C	D	E	F
EGV 1015	15	1/2"	85,5	102	21,5	55	AA 43
EGV 1020	20	3/4"	85,5	102	21,5	55	AA 43
EGV 1025	25	1"	85,5	102	21,5	55	AA 43
EGV 1032	32	1 1/4"	144	125	30	133	AA 60
EGV 1040	40	1 1/2"	144	125	30	133	AA 60
EGV 1050	50	2"	144	125	30	133	AA 70



MODEL	DN	A	B	C	D	E	K	Number of Holes
EGV 1065	65	75	290	312	185	210	145	4
EGV 1080	80	85	310	320	200	210	160	8
EGV 1100	100	100	350	317	220	254	180	8